

# Arctic Air Counter-Top Merchandiser



*Shown Model RCT05B. See back page for specifications.*

RCT05B Counter-top merchandising cooler features self-closing positive seal door with energy efficient triple pane thermal glass, lock, light, and black exterior.



# It's not only easy to see what's inside— it's easy to see why these are such a great buy.

- *Compact Design* — ideal size for today's space-conscious supermarkets and convenience stores.
- *Flourescent Interior Lighting* — safety shielded to insure longer, brighter, shadow-free product illumination.
- *Foamed-In-Place Polyurethane High Density Cell Insulation* — unsurpassed, extra dense insulation, R-factor is one of the highest energy-saving insulation grades on the market.
- *Self-Closing Positive Seal Door* — factory tested. Guaranteed door hinge and torsion spring.



- *Energy Efficient* — requires a minimum of electricity due to superior insulation.
- *Triple Pane Thermal Glass* — three panes of thermal glass provide two air chambers for twice the insulation value which minimize condensation. The high performance glass door will provide the maximum selling area for impulse buying.
- *Adjustable Vinyl Coated Wire Shelves* — durable, heavy-duty shelves are easily installed.
- *Environmentally Friendly* — (CFC free) R134a refrigerant.

These quiet, economical Arctic Air Coolers come with a full warranty:  
3 years on compressor, 90 day parts and labor.

## MODEL #RCT05B Counter-Top Cooler

### Capacity:

Volume Ft <sup>3</sup>	5.18	Unit Weight:	
Cans 8.3 oz.	252		165 lb.
Cans 12 oz.	192	Electrical Rating:	
Bottles 16.9 oz.	96		115 Volt, 60 Hz, 1.85A
Bottles 20 oz.	96		1/5 H.P.

### Exterior Dimensions:

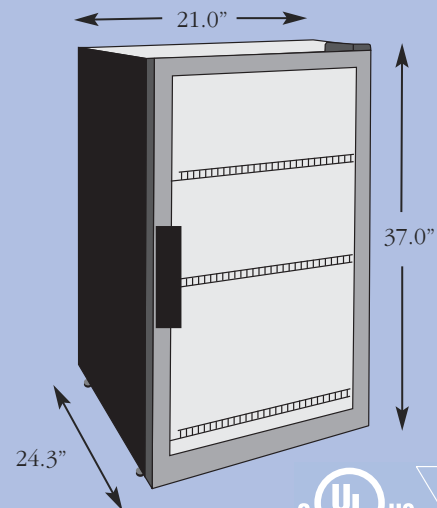
Height	37"	Refrigerant:	R134a
Width	21"		
Depth	24.3"		

### Interior Dimensions:

Height	30.25"
Width	17.80"
Depth	17.72"

Number of Shelves 3

© 2009 Broich Enterprises. All rights reserved.  
Arctic Air Brand and Logo are registered trademarks of Broich Enterprises.  
Products and specifications subject to change without prior written notice.



Commercial Freezers & Refrigerators

Division of Broich Enterprises, Inc. 6440 City West Parkway Eden Prairie, MN 55344  
952-941-2270 Fax: 952-941-3066 www.arcticairco.com info@arcticairco.com